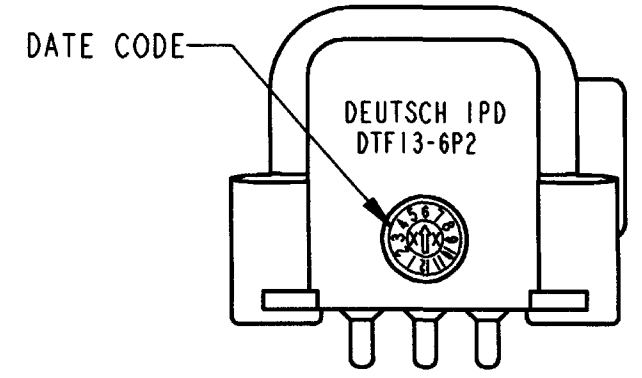
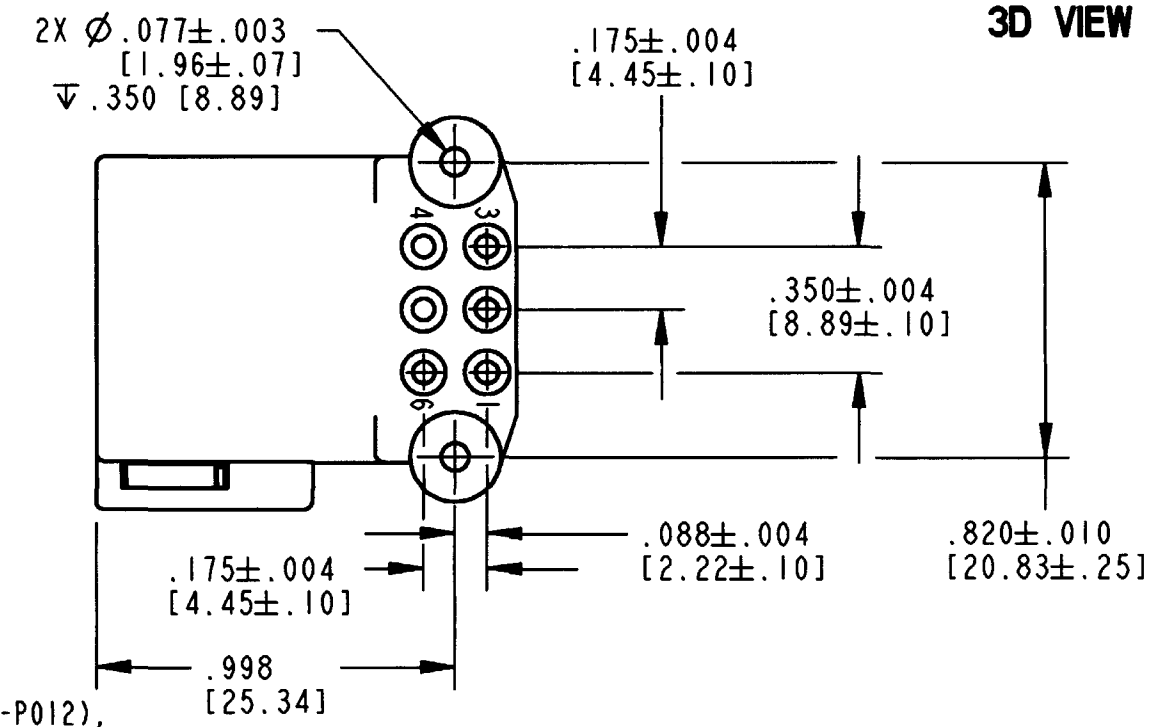
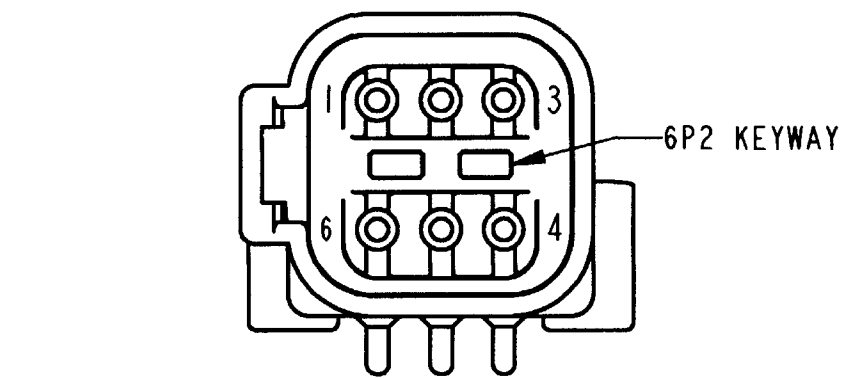
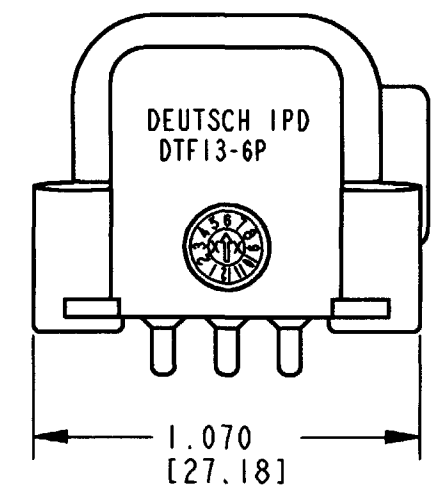
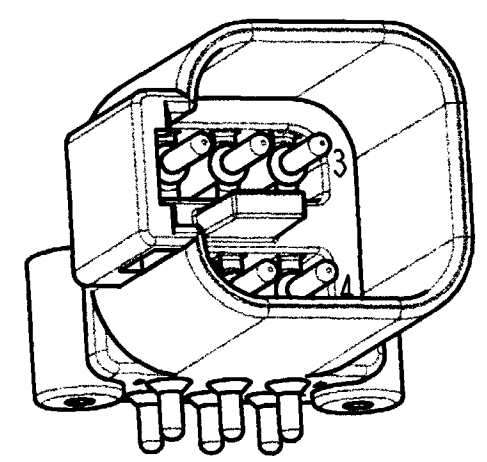
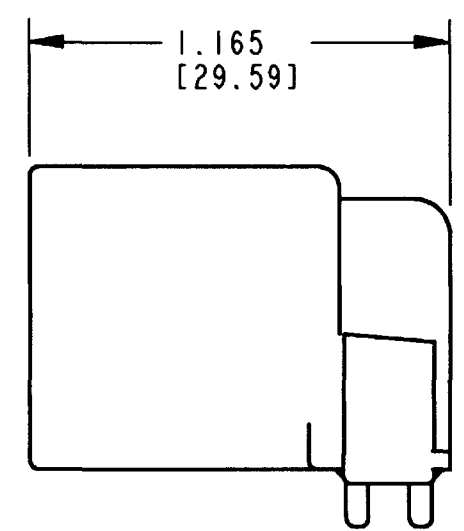
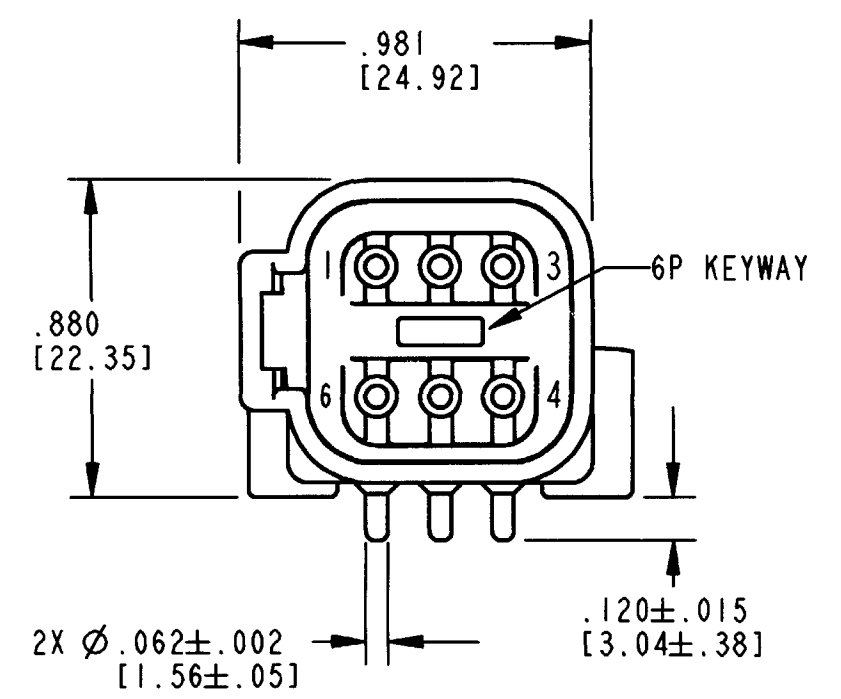


REV A	DTF13-6P * -G003	REVISIONS		
SYM	DESCRIPTION	DATE	APPROVED	
NC	NEW RELEASE PER E.O. P17209	6/26/01	RDR	
A	REVISED PER E.O. P17956	11-25-02	RDR	



7. CONTACT PLATING: GOLD ENTIRE LENGTH OF PINS.
 6. MATERIAL: PLASTIC
 5. IF ASTERISK = BLANK, 6P KEYWAY IS USED. IF ASTERISK = 2, 6P2 KEYWAY IS USED.
 4. CONNECTOR MATING: (DTF13-6P MATES WITH DT06-6S-**** AND W6S-P012), (DTF13-6P2 MATES WITH DT06-6S-**** AND W6S2-P012). [**** = ALL MODIFICATIONS] CONSULT FACTORY FOR MODIFICATIONS.
 3. Ø .077 [1.96] REF HOLES ARE FOR SIZE 2 SCREWS.
 2. DIMENSION TOLERANCE ± .025 [.64].
 1. ALL DIMENSIONS ARE IN INCHES [mm].
- NOTES: UNLESS OTHERWISE SPECIFIED.

SIGNATURE & DATE	
DR	P. BURKE 11/14/02
CHK	[Signature] 11/19/02
PE	[Signature] 11/19/02
APPD	[Signature] 11-19-02
SCALE	NONE WT

**90 DEGREE
FLANGELESS CONNECTOR
G003 MOD
DTF SERIES
COLOR: BLACK**

ENVELOPE

CP	MATL. CODE
The Deutsch Company DEUTSCH I. P. D. 3850 INDUSTRIAL AVE. HEMET, CALIF. 92545	
B	DTF13-6P * -G003
DWG SIZE	CODE 11139 SHEET OF